

# AVA HW853

## TWO WAY PASSIVE SPEAKER



### OVERVIEW

AVA HW853, a member of H Series is a Passive 2 way Loudspeaker system designed and manufactured by AVA Pro Audio and with high quality B&C 15" woofer and 3" voice coil compression driver. Ava HW853 delivers clear high mid frequency and punchy bass.

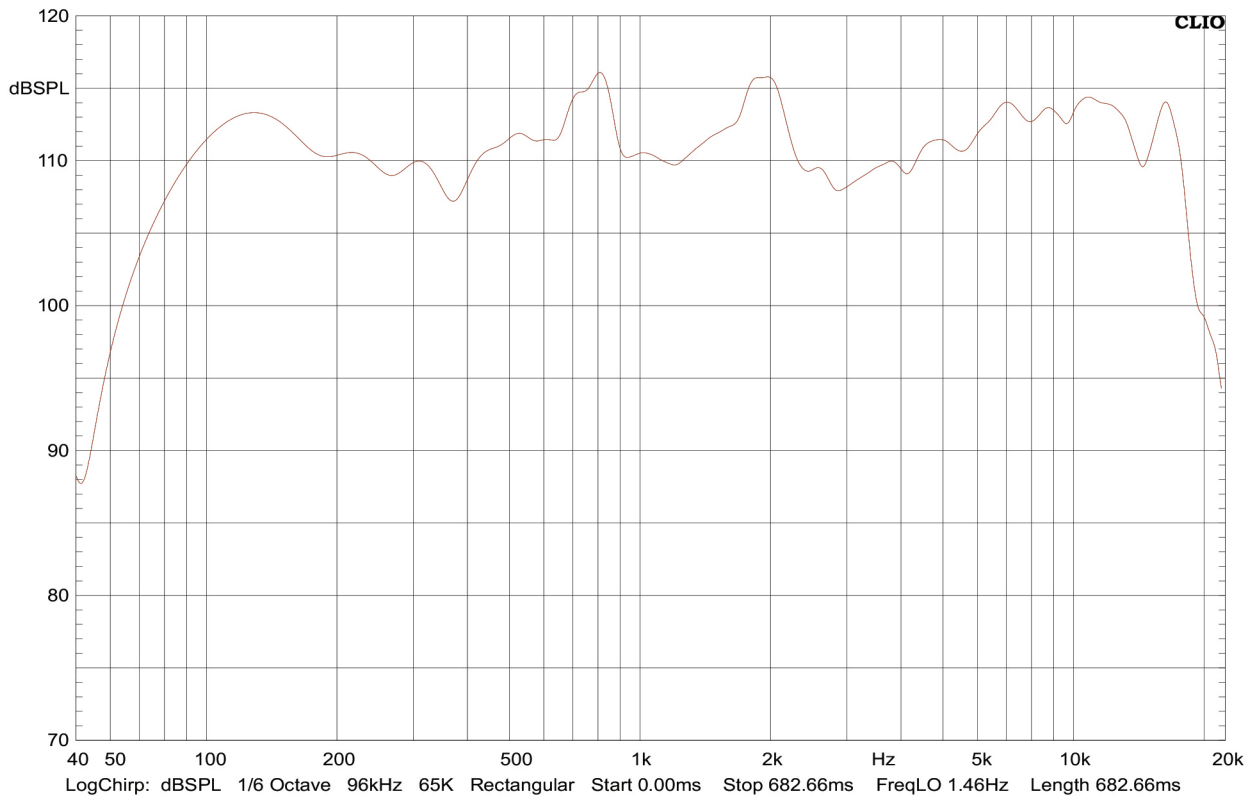
### FEATURES

- 3" voice coil compression driver
- 15" woofer, high power, 3" voice coil
- 132 dB max SPL
- input Power Rating: 1000 W

### TECHNICAL SPECIFICATIONS

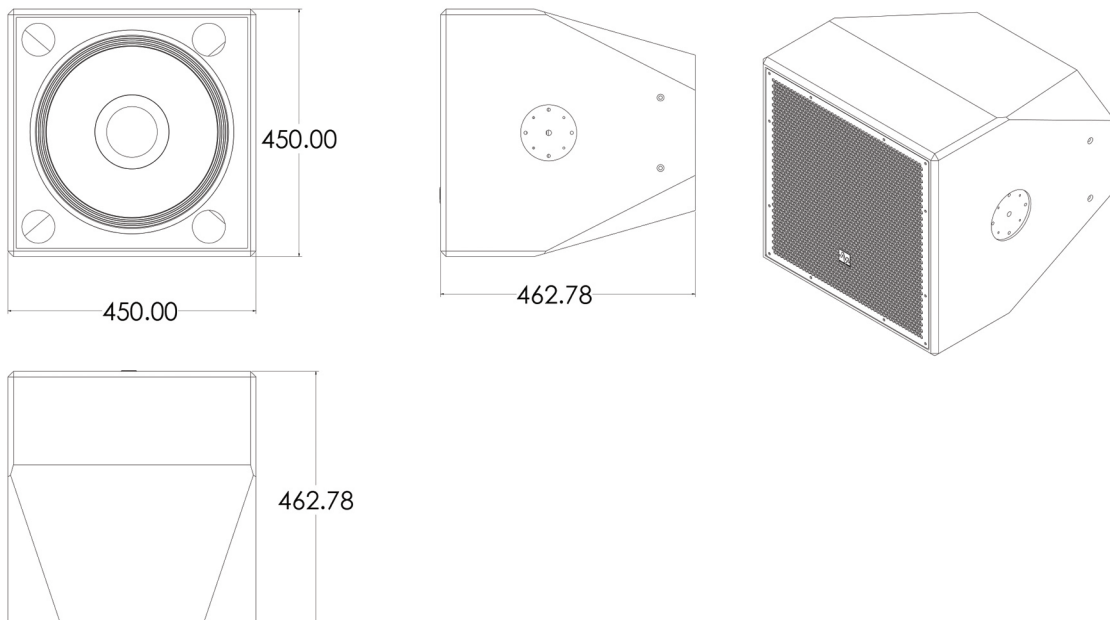
<b>Acoustical specifications</b> Frequency Response (-10dB): 55 Hz - 18000 Hz Max SPL @ 1m: 132 dB Horizontal coverage angle: 60° Vertical coverage angle: 40° System Sensitivity: 99dB		<b>Input/Output section</b> Input connectors: Speakon Output connectors: Speakon	
<b>Power section</b> Crossover Frequencies: 1400Hz Nominal Impedanc: 8 ohm Protections: Dynamic Active Mosfet Power Rating (program): 1000w		<b>Physical Specifications</b> Cabinet/Case Material: 15 mm, 11-ply Baltic Birch plywood Hardware: U-brackets Pole mount/Cap: — Grille: Powder Coated 15 gauge hex-perforated steel with acoustically-transparent black cloth. Rigging: Optional array frame kit Color: Black	
<b>Transducers</b> Compression Driver: 3" Voice coil, 1.5" exit Nominal Impedance (ohm): 8 ohm Input Power Rating: program 160W Sensitivity: 107dB, 1W @ 1m Woofer: 15" neo, 3" Voice Coil Nominal Impedance (ohm): 8 ohm Input Power Rating: program 800W Sensitivity: 99 dB		<b>Size</b> Height: 450 mm / 17.7 inches Width: 450 mm / 17.7 inches Depth: 462.7 mm/ 18.2 inches Weight: 25kg / 55.1 lbs	
		<b>Shipping informations</b> Package Height: 500mm / 19.6 inches Package Width: 490 mm / 19.2 inches Package Depth: 490 mm / 19.2 inches Package Weight: 26.8 kg / 59lbs	

## FREQUENCY RESPONSE



AVA Pro Audio measurement chamber

## DIMENSIONS



## PART NUMBER

■ **HW853-9903**

AVA HW853- TWO WAY 1000W SPEAKER